



COMMERCIAL SLICERS

GSE110 10" Slicer

Project Name:

Location:

Item:

Qty.:

Model:



GSE110 10" / 25.4 cm Slicer

- Slicer body made of cast aluminum, anodized and stain resistant
- Top mounted 2 stone sharpener
- Full rim knife guard
- Spring loaded food tray return
- Bottom enclosure covers electrical components
- Moisture resistant on/off pushbuttons
- Chrome plated high carbon steel knife
- Cut thickness up to 7/16" / 1.75 cm
- Belt driven knife
- Regulator plate safety lock for cleaning

- Adjustable food tray slide
- Food tray hand guard
- ETL and ETL sanitation approved
- Blade diameter is 254mm 9 13/16"
- 120/60/1pH
- Strain relief cord and NEMA 5-15P plug
- Warranty of 1year parts & labor on site.
- Cut height of 7/16" / 1.75 cm
- Electronic knife cover safety interlock
- Motor Specs: 150 watts/ 1/5 hp / 1600 rpm
- Blade Speed: 400 rpm

FEATURE LIST

Model:	GSE 110
Description:	10" / 25.4 cm Slicer
Voltage:	120/60/1
Rated Power:	1/5 Hp
Cut Capacity:	8" x 6 1/2" 20.3 cm x 16.5 cm
Cut Thickness:	Up to 7/16" - 1.75 cm
Weight:	40 lb - 18.1 kg
Dimensions:	19"W x 15 1/2"D x 14"H 48.3 cm x 39.4 cm x 35.6 cm



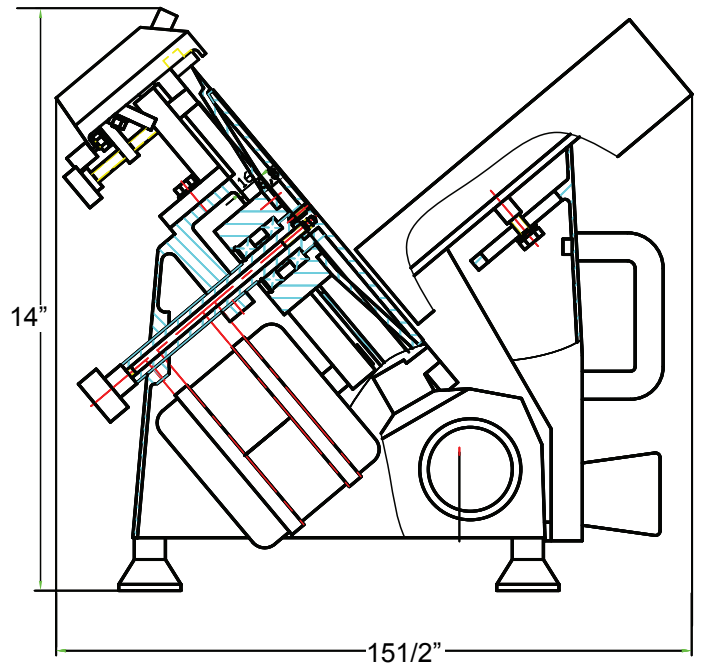
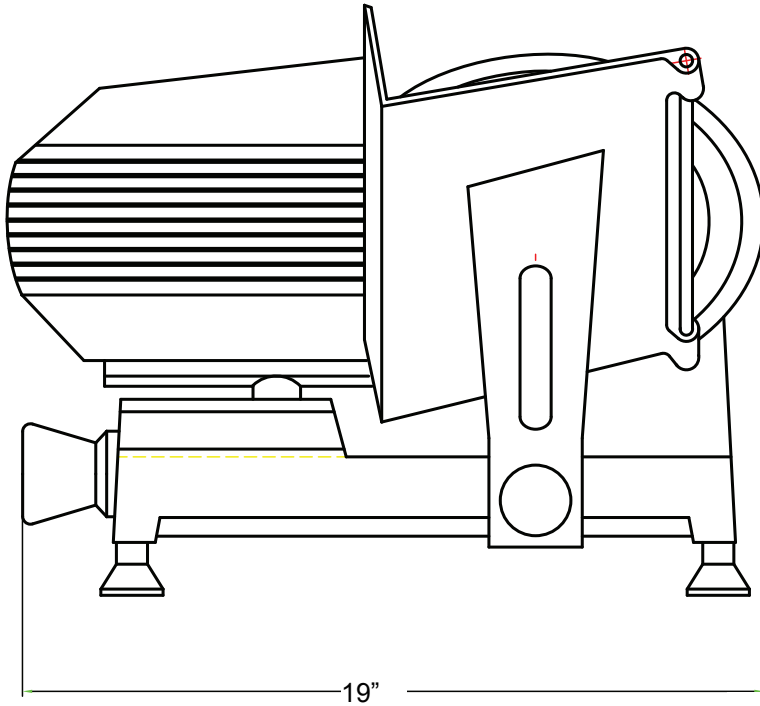
Specifications subject to change without notice.

Approvals:



PLAN VIEW

GSE110 10" Slicer



55" LONG CORD INCLUDED

Dimensional Data

Model	Description	Voltage	Power	Cut Capacity	Dimensions	Weight
GSE 110	10" slicer	120/60/1	1/5 Hp	8" x 6 1/2"	19"W 15 1/2"D 14"H	40 lb 18.1 kg

- Slicer body made of cast aluminum, anodized and stain resistant
- Top mounted 2 stone sharpener
- Full rim knife guard
- Spring loaded food tray return
- Bottom enclosure covers electrical components
- Moisture resistant on/off pushbuttons
- Chrome plated high carbon steel knife
- Cut thickness up to 7/16" / 1.75 cm
- Belt driven knife
- Regulator plate safety lock for cleaning

- Adjustable food tray slide
- Food tray hand guard
- ETL and ETL sanitation approved
- Blade diameter is 254mm 9 13/16"
- 120/60/1pH
- Strain relief cord and NEMA 5-15P plug
- Warranty of 1year parts & labor on site.
- Cut height of 7/16" / 1.75 cm
- Electronic knife cover safety interlock
- Motor Specs: 150 watts/ 1/5 hp / 1600 rpm
- Blade Speed: 400 rpm